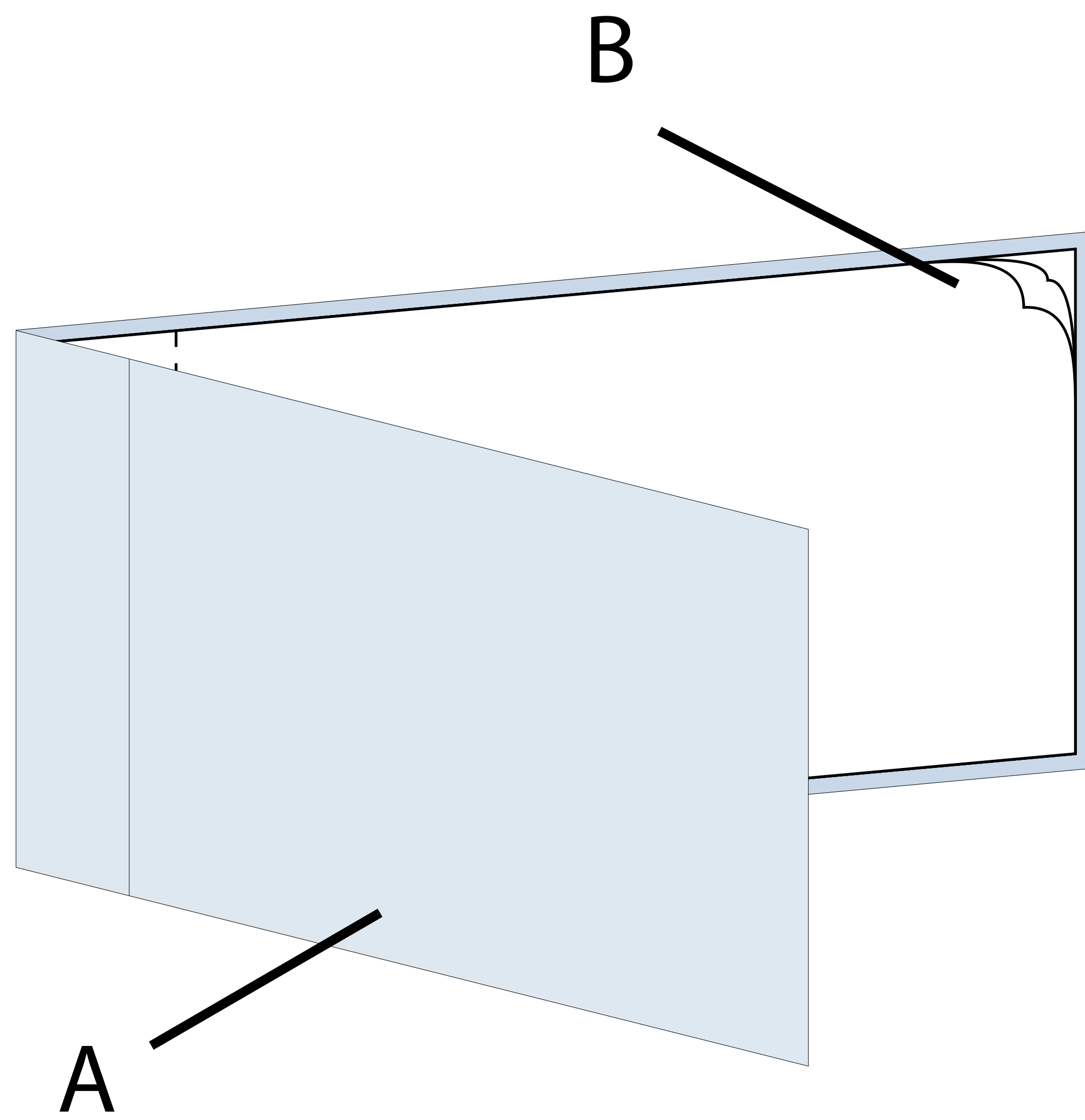
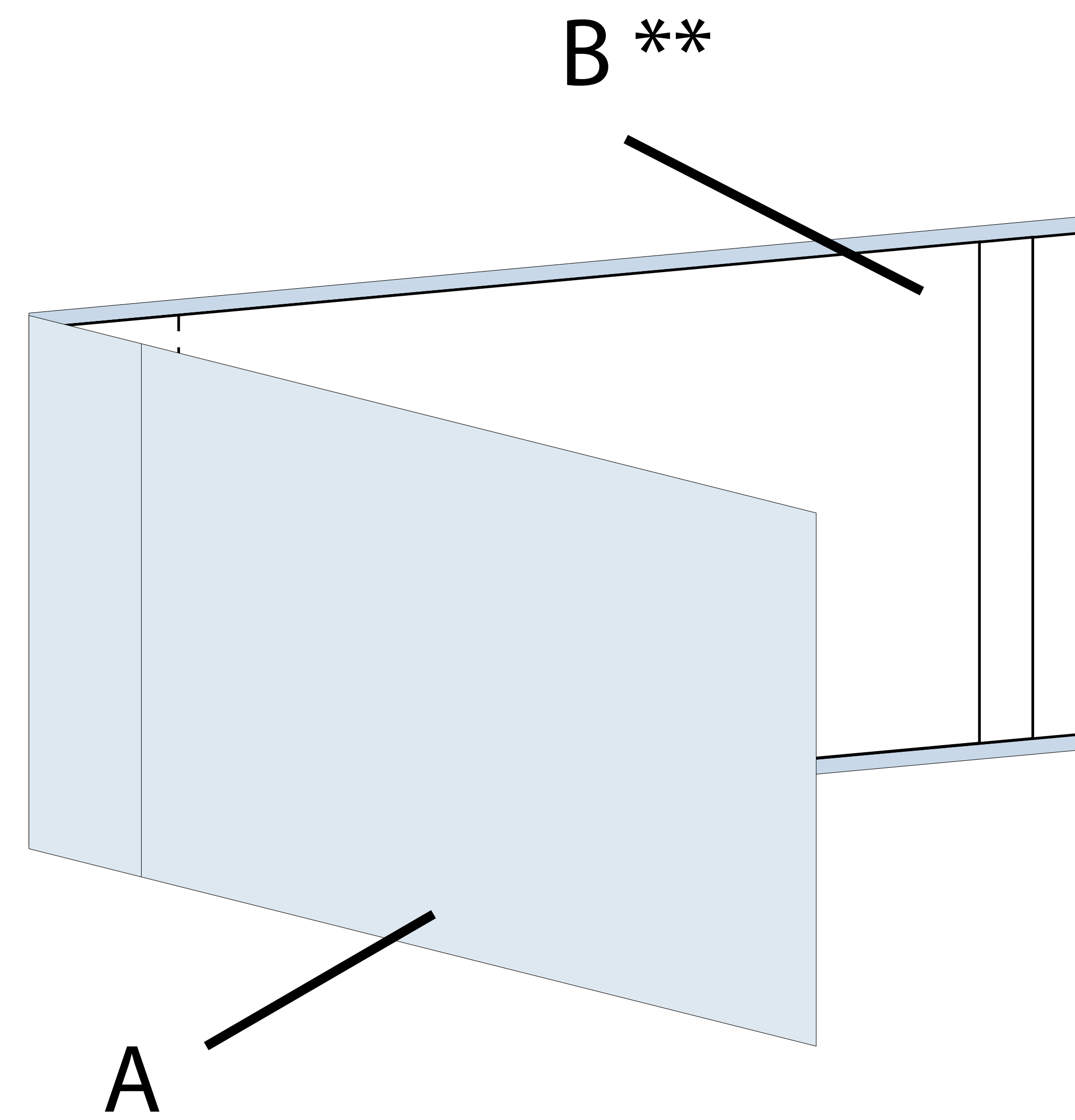


Enfolio® Cheque Book - What fits What ?

Assembly

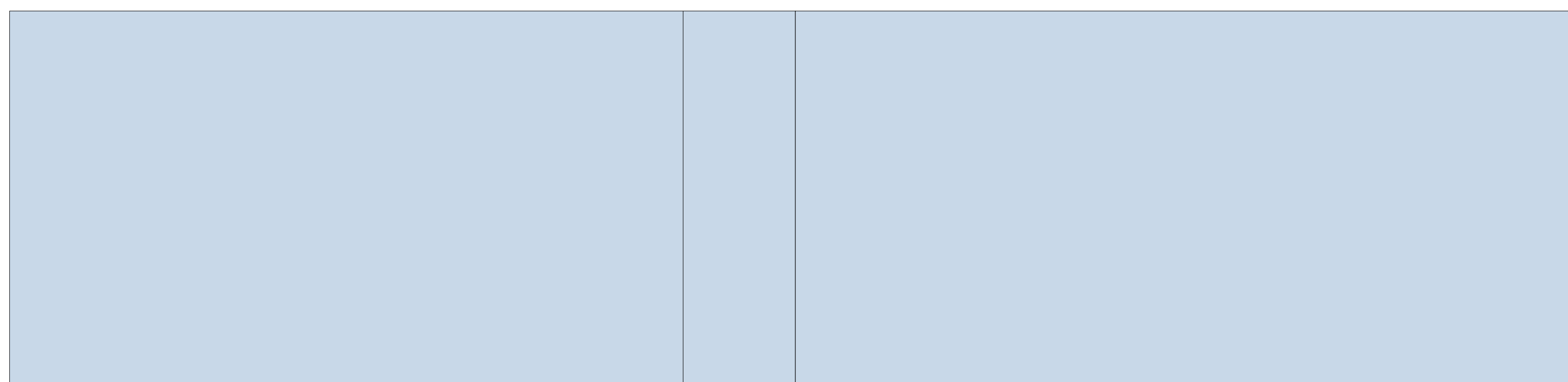


Assembly Option 1 - Full Pages



Assembly Option 2 - Stepped Pages
(Requires insert B to be cut to create the step or tab style effect)

Products



A



B

	Item
A	Enfolio® Cheque Book Cover
B	Enfolio® Cheque Book Insert

Size (width/height)
210 x 100 mm*
194 x 94 mm

All sizes are approximate

* Assembled dimensions

** Enfolio Cheque Book inserts cut to produce "stepped" or "tab" style cheque book invitation.

Enfolio® and Enfolios® are registered trademarks of The Handcrafted Card Company Ltd.

www.thehandcraftedcardcompany.co.uk